

# 809 SERIES RANGEABLE VOLTAGE

## LARGE LCD Digital Panel Meters - 3 1/2 digit



### Features:

- The LCD provides a large, .98", 3-1/2 digit display.
- Decimal point user selectable
- Eng. units user selectable
- Snap-in panel mounting
- Large .98" digits for easy viewing
- Gasket and clamp provided for optional NEMA applications

### Specifications:

<b>Display:</b>	
Digits:	3 1/2 digits ( $\pm 19999$ counts)
Type:	0.98" (24.9 mm) 7 segment LCD
Polarity:	Automatic, "*" displayed
Annunciators:	"F, "C, PSI, %, user selectable
Decimal Points:	3 position, user selectable
Overload:	Three lower order digits blank for inputs >1999
<b>Inputs:</b>	
Ranges:	200mV, 5V, 10V
Configuration:	Single ended
Impedance:	390K $\Omega$ min
<b>Performance:</b>	
Accuracy:	$\pm 0.05\%$ of Full Scale + 1 count
Conversion Rate:	3 per second
Normal Mode Rejection:	>30 db @ 60 Hz
Common Mode Range:	$\pm 1V$ DC max
Common Mode Rej.:	>86 dB
Adjustments:	Span (gain)(2) (10V and 5V) and Zero (offset)
Warmup:	10 minutes typical
Temperature Coeff.:	$\pm 100$ ppm per $^{\circ}C$ typical
Offset Range:	-1999 to +1999
Gain Range:	1-1000 (custom ranges available)
<b>Environment:</b>	
Operating Range:	-10 to 50 $^{\circ}C$
Storage Range:	-40 to 75 $^{\circ}C$
<b>Power Supply:</b>	
	24V or 12V @ 10mA
<b>Mounting:</b>	
	Snap-in panel mount or clamp and gasket
<b>Connection:</b>	
	4 screw terminal

### Ordering Information:

Voltage Powered Large Digit LCD DPM Part Numbering

**DK809**



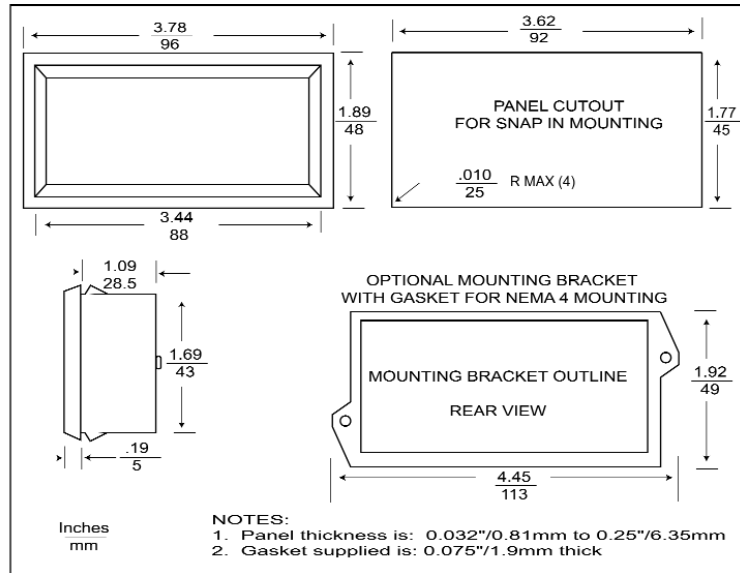
C-Ton Industries • PO Box 10129 • Bedford, NH, 03110 • USA  
03110-0129

# Cutout

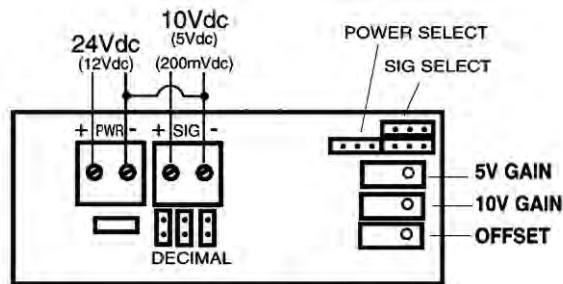
## WIRING

Pin	Description
1	+5V
2	Neg. Supply
3	INH1
4	INLO
5	Dec. common
6	Dec. 000.0 when connected to decimal common
7	Dec. 00.00 when connected to decimal common
8	Dec. 0.000 when connected to decimal common
9	No connection
10	No connection
11	Signal Hold when connected to decimal common (LED) or +5V (LCD)
12	No connection
13	No connection

\*Note: Pins 2 & 4 should be tied together for proper operation



# Wiring



(upper)  
WIRING