



Description and Benefits:

The **WB** is a small, lightweight device that activates and illuminates when water is sensed. Simply place on a flat surface under your equipment or attach using the included mounting brackets. The **WB** relies on the electrical conductivity of water to change the resistance across two contacts at the base of the enclosure. When the contacts are bridged by water, the resistance changes and triggers an alarm.

Choose either the **WBWO-1** or the **WBWA-1** model for applications that require visual alert and/or relay contacts. Both units require an external 24VAC/VDC power supply. The **WBWA-1** unit will trigger both visual and audible alarms when water is sensed.

Features:

- ◇ Visual and audible alarm
- ◇ Small, compact design
- ◇ DPDT relay
- ◇ Compact size
- ◇ Removable mounting bracket

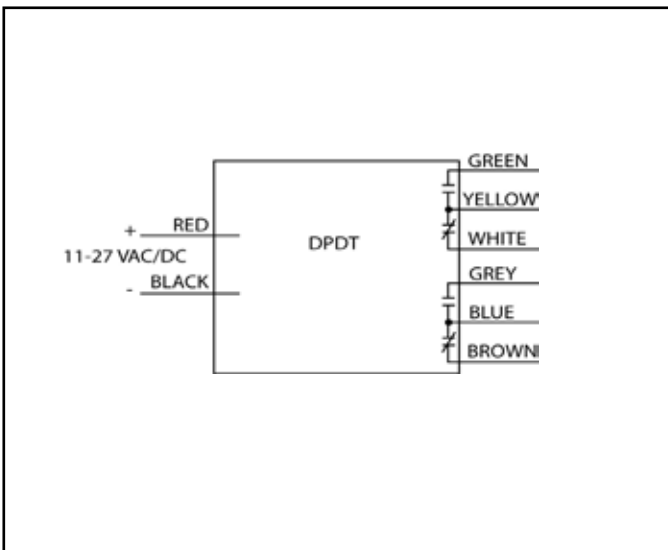
Specifications:

Switch Type:	DPDT relay
Electrical Rating:	DPDT 1 A @ 24 VAC/DC, 1 A @ 120 VAC
Power Requirements:	11-27 VAC/DC
Power Consumption:	DC 25 mA typical and 75 mA max, AC 30 mA typical and 85 mA max
Electrical Connections:	attached 22 AWG, PVC insulated cable (4.8 ft long)
Enclosure:	acrylic, ABS plastic
Temperature Limits:	32 to 122°F (0 to 50°C)
Weight:	4.3 oz
Dimensions:	3" L x 2" W x 1-1/4" H

Typical Uses:

- Around Plumbing
- Computer Room Floors
- Basements
- Drip Pans

Wiring:



Ordering Information:

PART NUMBER	
WBWO-1	Sensor with Relay, 24 VAC/DC power
WBWA-1	Sensor with Relay, 24 VAC/DC power with audible alarm
PW2-12	Regulated 120V AC to 12V DC Power Supply
PW2-24	Regulated 120V AC to 24V DC Power Supply
PW1.0	24V AC to adjustable DC output
CPW1.5	24V AC to adjustable DC output
CVC	Calibrator
CPTR40VA	120/24VAC 40VA Transformer