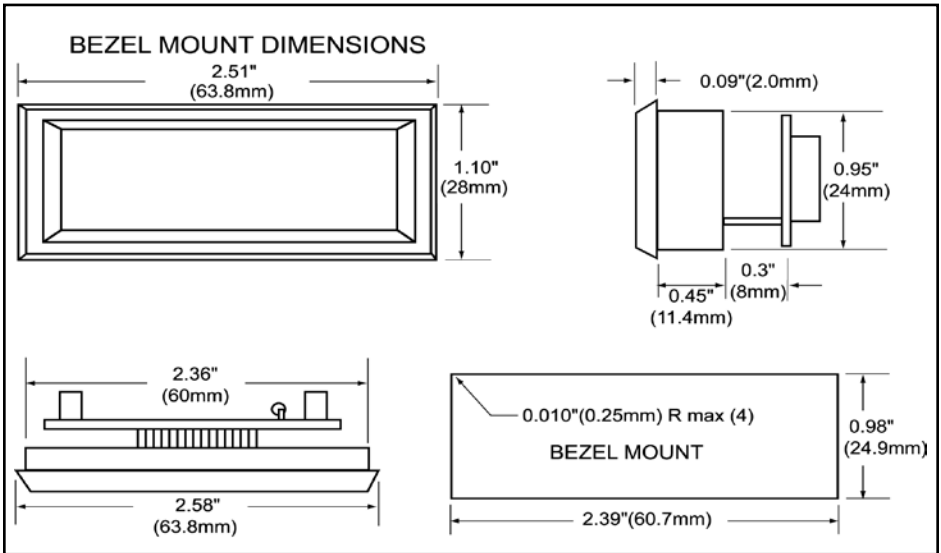


# 3 1/2 LOOP

## PANEL MOUNTING



## JUMPER SELECTION AND WIRING

### 1. DECIMAL SELECTION:

(J4, J5, J6)

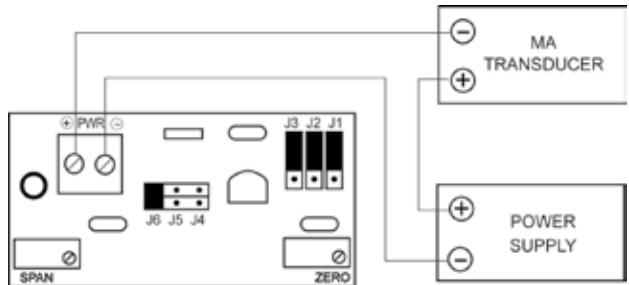
1999

199.9

19.99

1.999

J6 J5 J4



### 2. J1, J2, J3 SELECTION:

**IF:** OFFSET (ZERO) IS  $\leq 0$  or  
 OFFSET (ZERO)  $> 0$  and GAIN (SPAN)  $\div$  OFFSET (ZERO)  $\geq 5$

**IF:** OFFSET (ZERO)  $> 0$  and GAIN (SPAN)  $\div$  OFFSET (ZERO)  $< 5$

